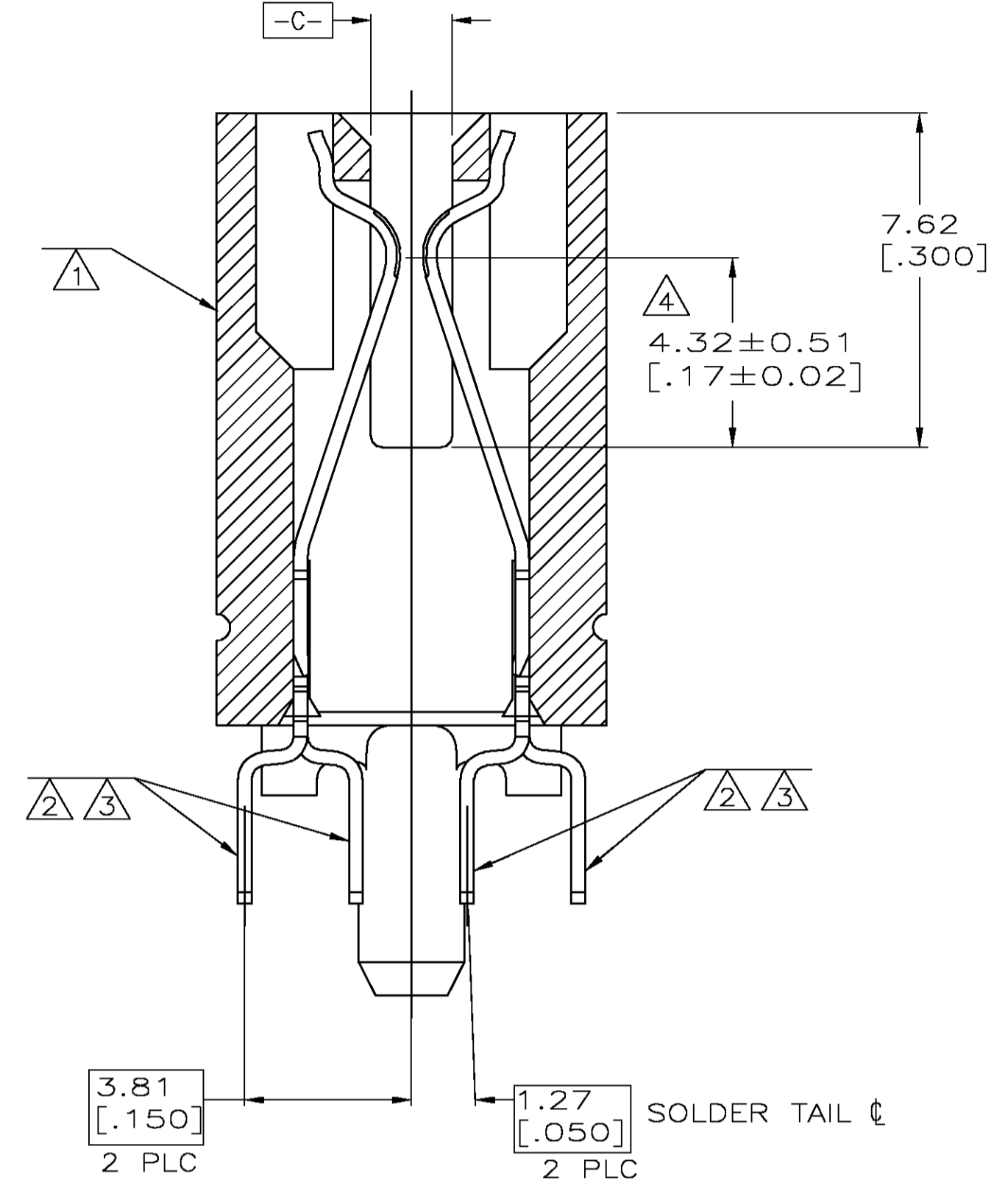
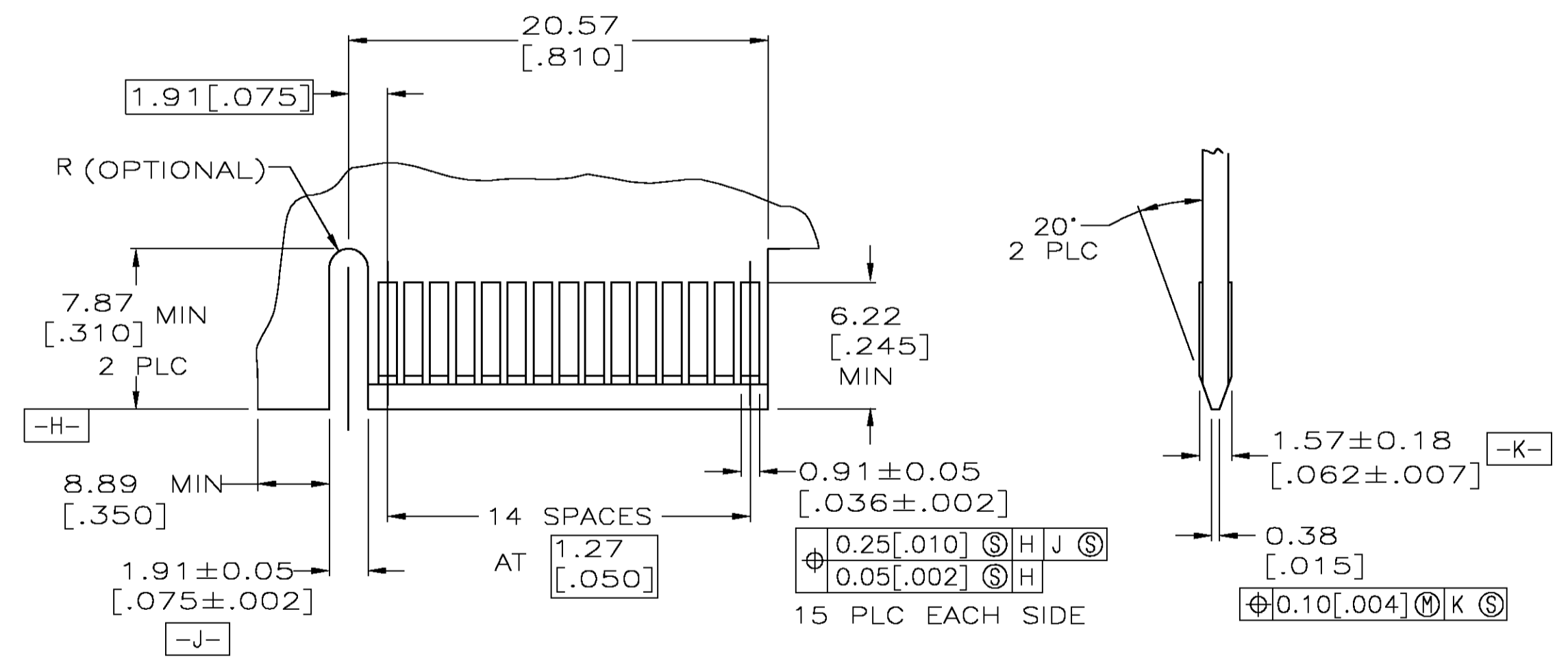


RECOMMENDED CONNECTOR MOUNTING HOLE PATTERN  
(CONNECTOR SIDE SHOWN)



SECTION L-L  
SCALE 8:1



RECOMMENDED MATING BOARD EDGE CONFIGURATION

- ① HOUSING: HIGH TEMPERATURE THERMOPLASTIC. COLOR: BROWN.
- ② CONTACT: PHOSPHOR BRONZE.
- ③ CONTACT FINISH: .000100 MIN NICKEL ALL OVER. .000030 MIN GOLD OVER NICKEL IN CONTACT AREA. .000100 MIN MATTE TIN OVER NICKEL ON SOLDER TAILS.
- ④ DISTANCE FROM CONTACT POINT TO BOTTOM OF CARD SLOT.
- ⑤ AMP PART NUMBER, DATE CODE AND CSA LOGO MARKED IN APPROXIMATE AREA SHOWN.

OBSOLETE	125	5650712-3
	.10	5650712-1
	W	PART NUMBER

THIS DRAWING IS A CONTROLLED DOCUMENT.		DIN AL FRANTUM 11 MAY 05		Tyco Electronics Corporation Harrisburg, Pa 17105-3608	
DIMENSIONS: mm		OK AL FRANTUM 11 MAY 05		NAME	CONNECTOR ASSEMBLY, END KEYED, 15 DUAL POSITION, .050 SERIES, STANDARD EDGE
TOLERANCES UNLESS OTHERWISE SPECIFIED:		APVD	PRODUCT SPEC	108-14034	
0 PLC ± -			APPLICATION SPEC	114-26012	
1 PLC ± -			SIZE	A1	
2 PLC ± 0.25 [.010]			WEIGHT	-	
3 PLC ± -			CUSTOMER DRAWING	SCALE 4:1 SHEET 1 OF 1 REV A	
4 PLC ± -					
ANGLES ± - Z					
MATERIAL					
FINISH					